



# LOUVREX

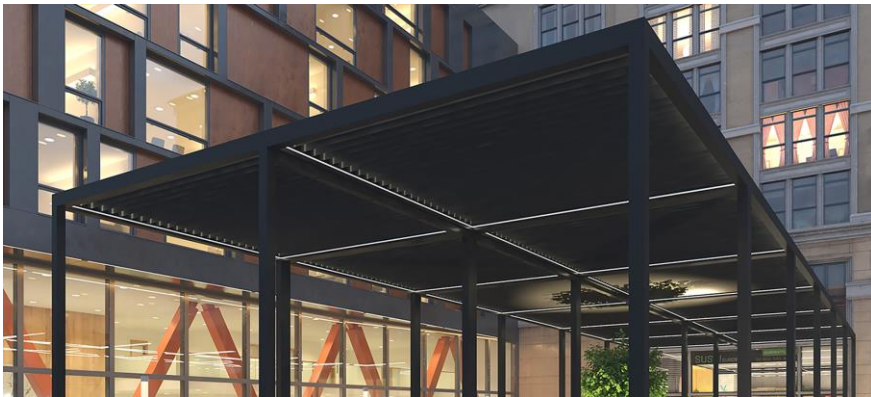
Customized architectural solutions...

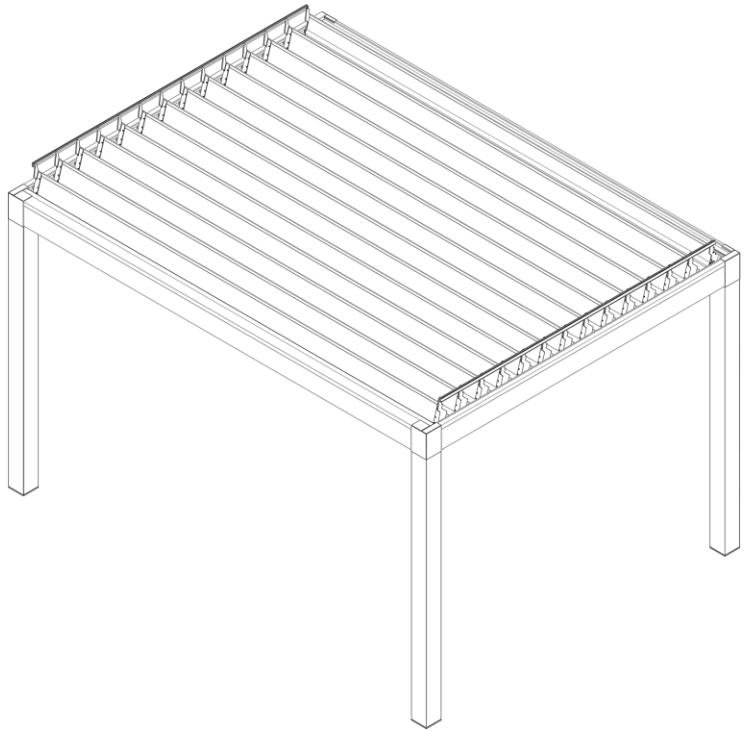
Louvrex is a stylish modern bioclimatic outdoor covering system that meets demands of today's architecture. The distinctive form which has a balance between design and function is used to create customised outdoor architectural solutions for protection from the elements. The unique characteristic of the system makes it clear leader in its field and presents sophisticated technology combined with innovative concepts for modern style. System makes outdoor spaces more comfortable with high functional performance and create custom-made solutions



The aluminum louvres can be tilted up to 135° with a smooth and silent rotating movement via internal motor. The automation of the system is fully hidden and operates with maximum performance & silent movement. It is possible to operate the louvres according to desired angle creating ventilation and shadow. The angle adjustable louvres provide natural air flow effect and exceptional quality of outdoor life in the open air with a high degree of flexibility for visual & thermal comfort while offering optimum conditions at any time of the day.

Individual modules can be custom made in your specified finish up to 4.5m wide and 8m projection with flexible installation methods such as integration to existing structures, wall mounting and free standing for larger outdoor areas.

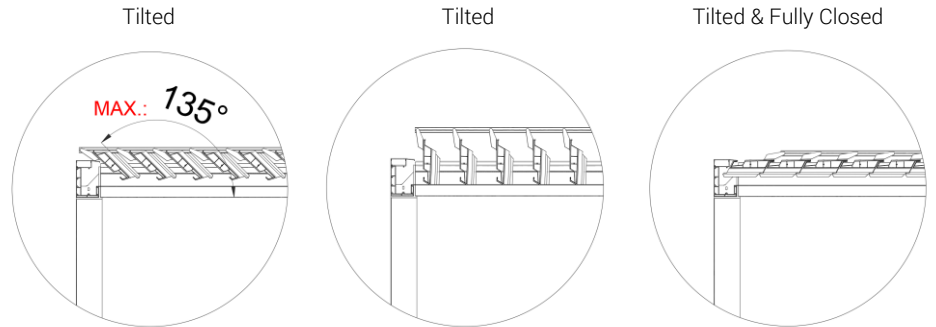




## Louvrex

Up to 135° tilting flexibility creates the opportunity to catch the sunlight from sunrise to sunset with the shading percentage you require for your pleasure.

### Side Elevations





Self Standing  
Single Module

---

Flexible installation methods are available with wall mounting and free standing installations and they can even be served as roof for existing frameworks.

---

Self Standing  
Multiple Modules

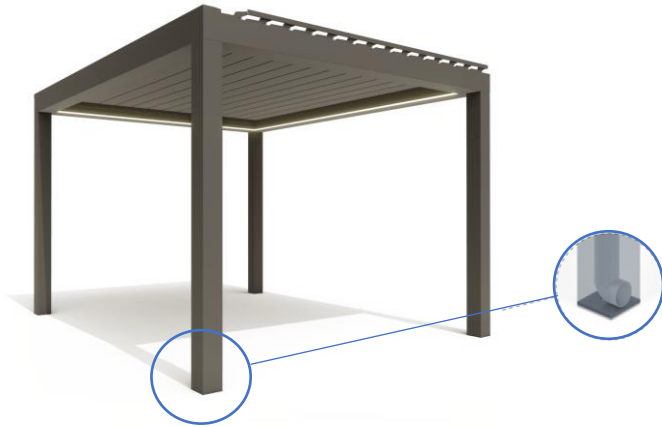
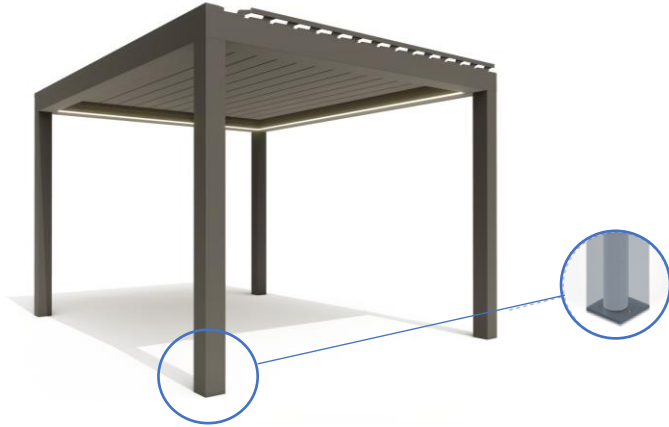


Blocked assembly for customised modules  
with range of flexible combinations.



## Intra-Column Drainage Pipe

The water can be drained through internal drainage pipe and it eliminates factors that could block correct water flow. Intra-column drainage pipe collects the water and discharges to the ground.



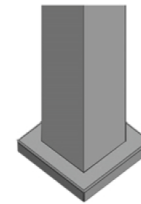
## Column Base Options



Hidden  
(Standard)

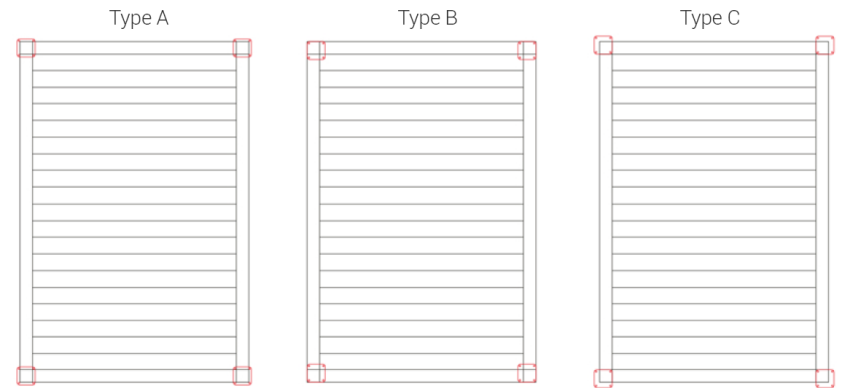


Flange

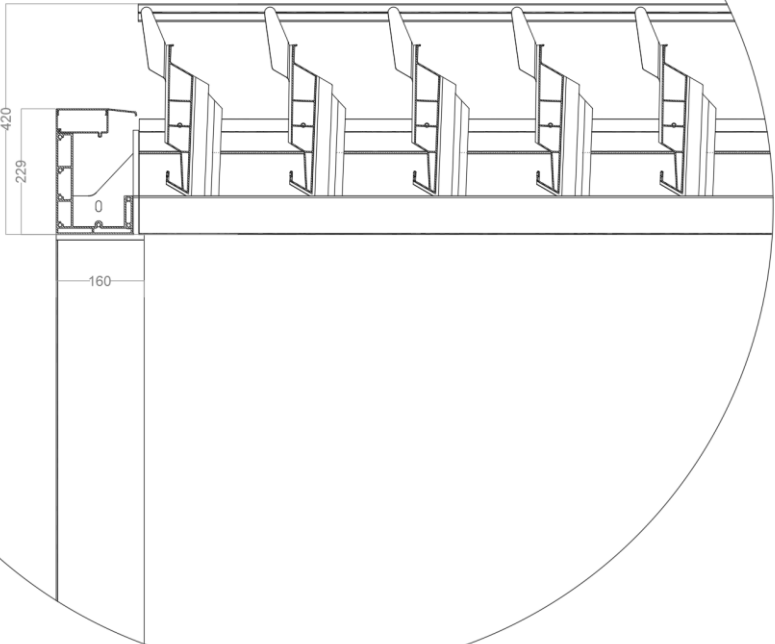


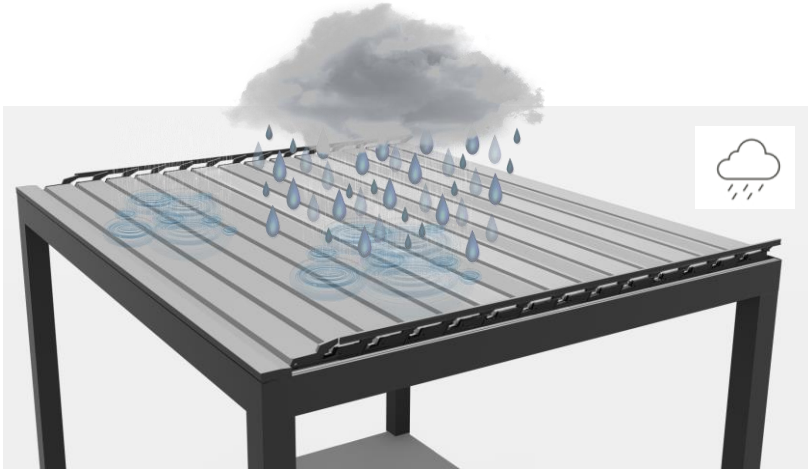
Flange With  
Cover Cap

## Flange Positions



Side Elevation

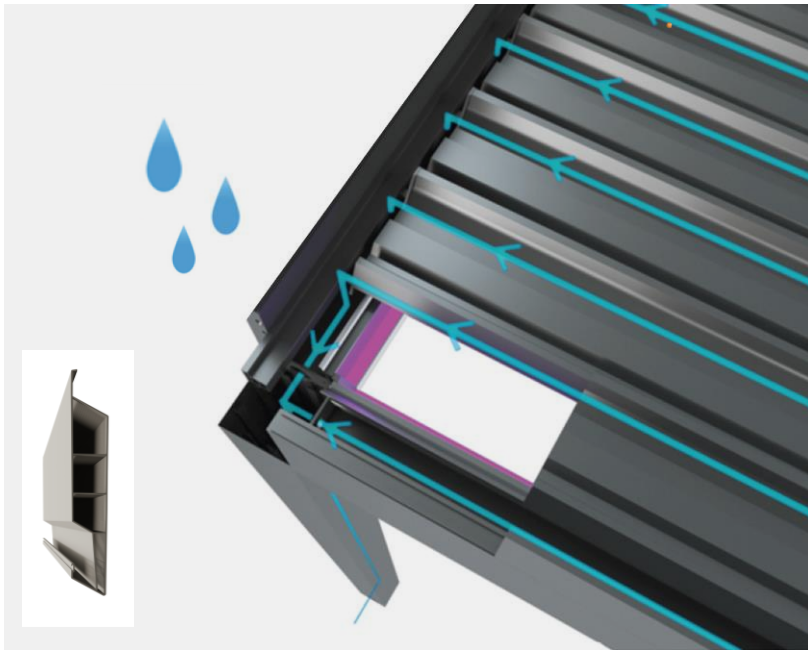




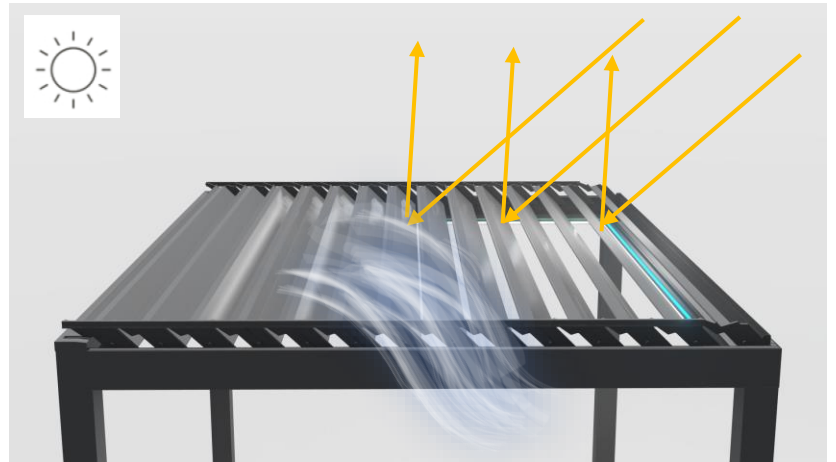
Ensuring waterproof coverage when louvres at fully closed position.



Slightly opening of louvres creates natural air flow for application areas.



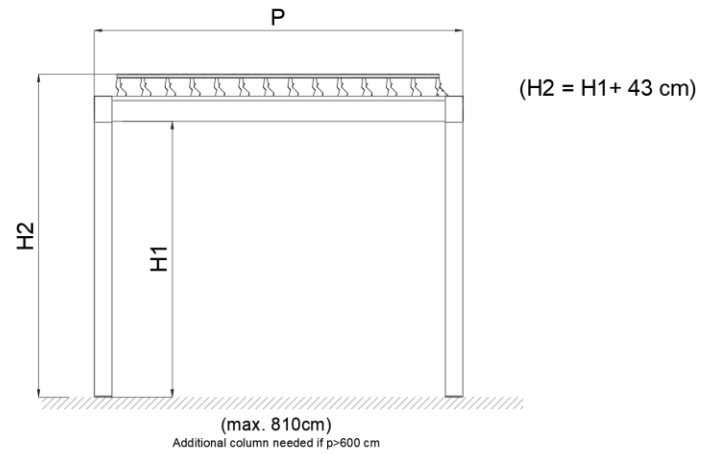
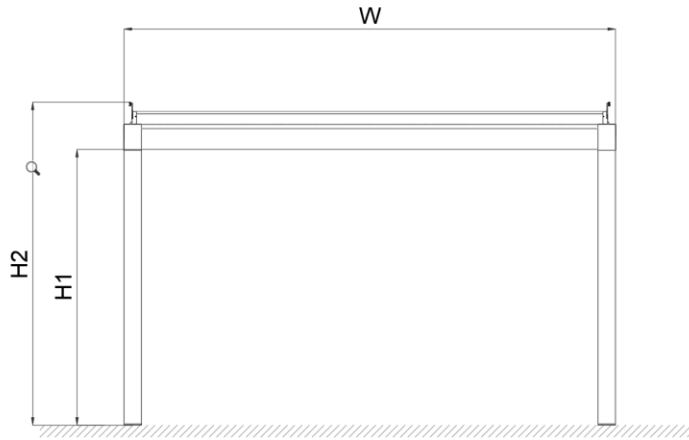
Each channel on louvres drain the water through gutters connected with columns.



Protecting from sun exposure while air is ventilated through the louvers.

One System (W) 100 cm > 450 cm

# OPEN



# CLOSED

